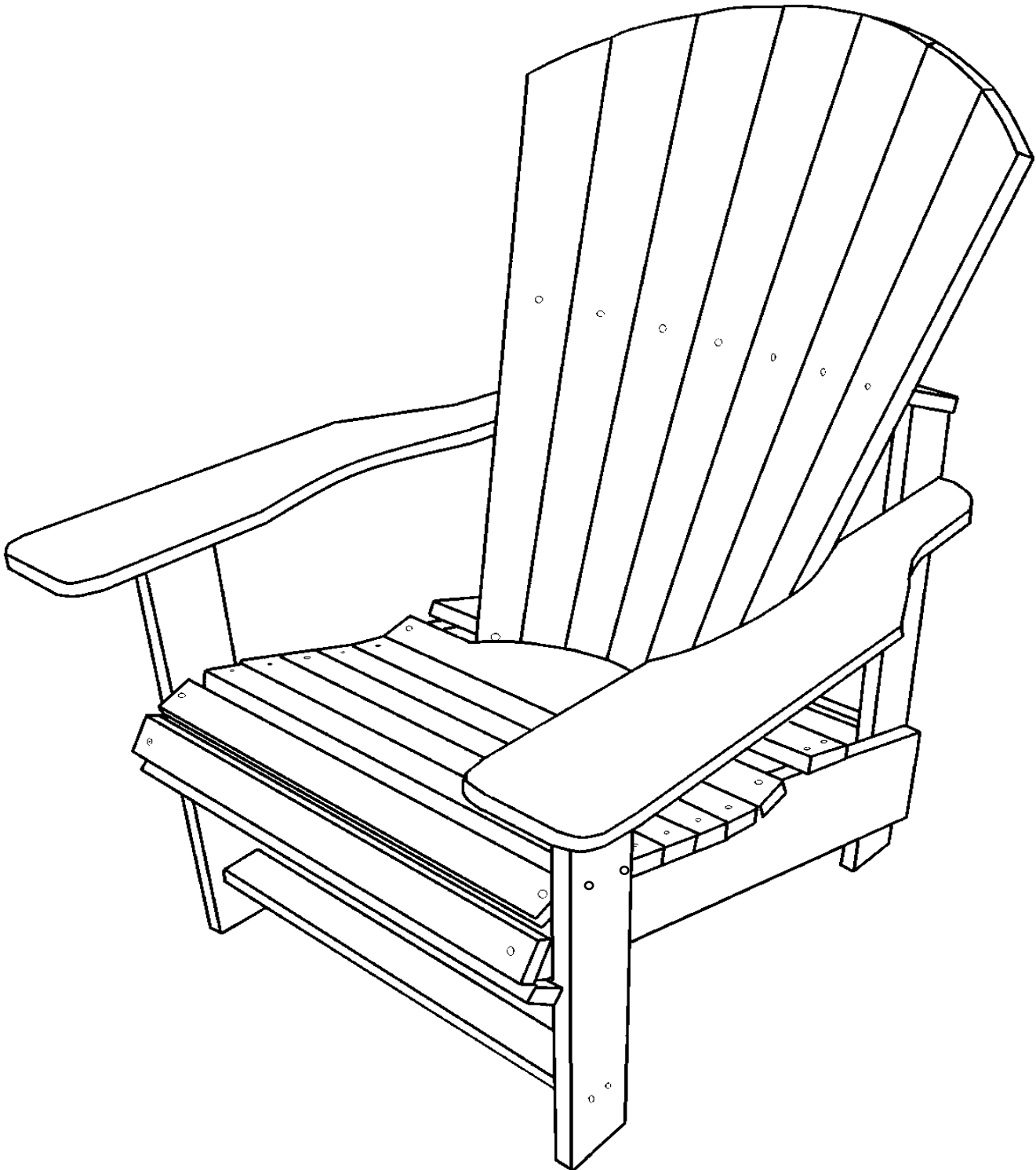




Generation Line

BY C.R. PLASTIC PRODUCTS INC

C03

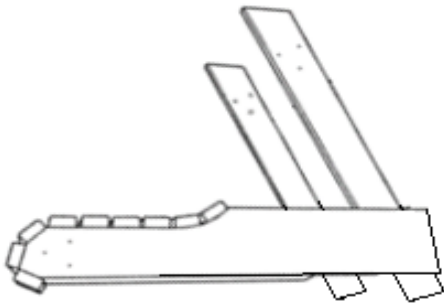




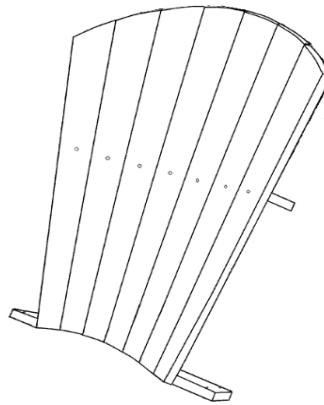
Generation Line

BY C.R. PLASTIC PRODUCTS INC

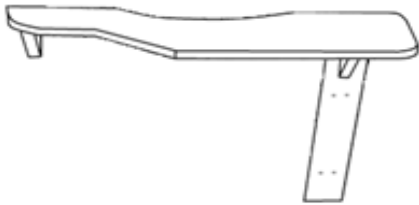
C03



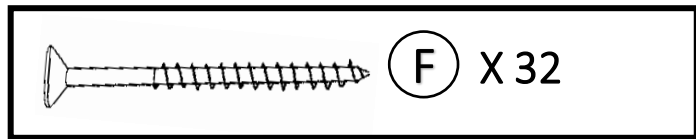
(A) X 1



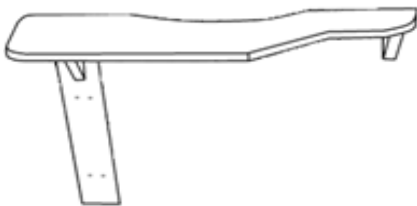
(E) X 1



(B) X 1



(F) X 32



(C) X 1

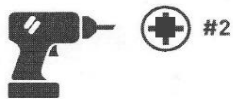


(D) X 1



(G) X 1

?



800.490.1283

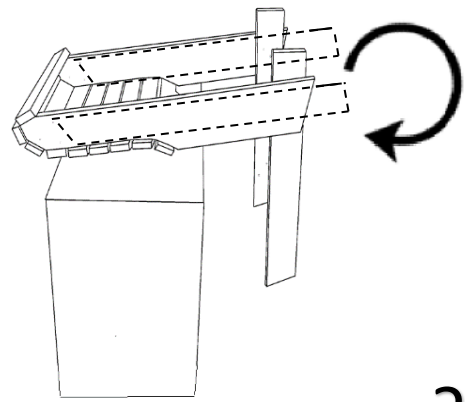
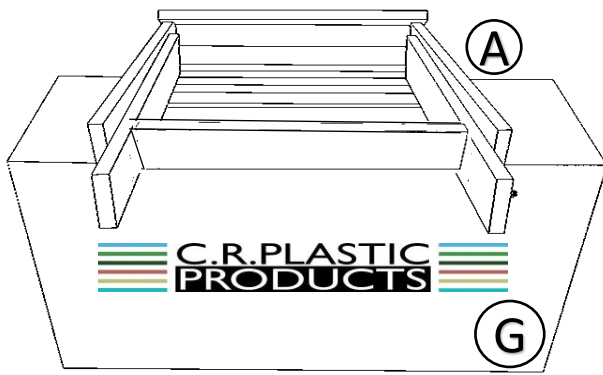
FAX

519.271.8544



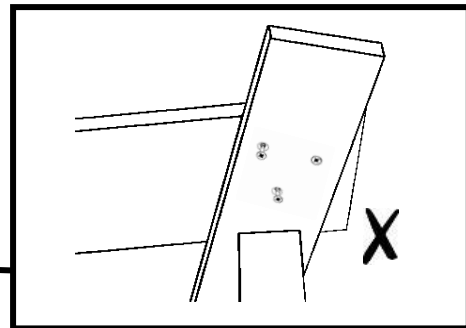
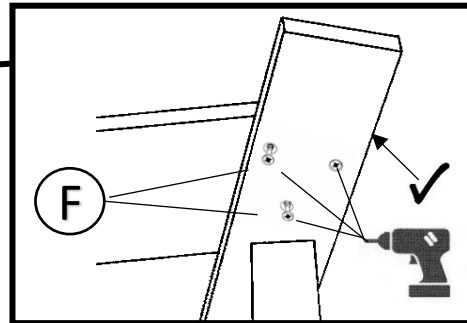
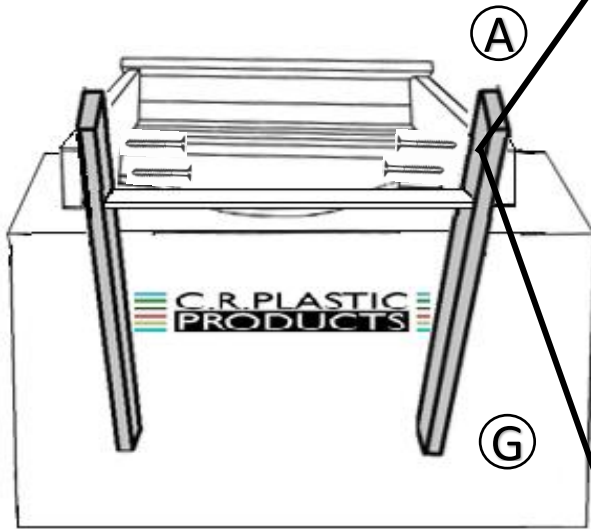
crpproducts.com

1

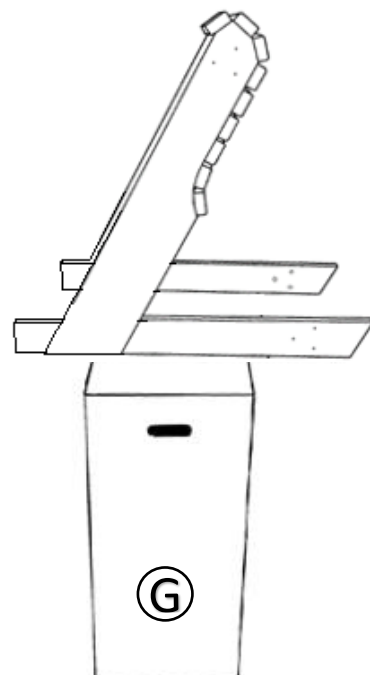
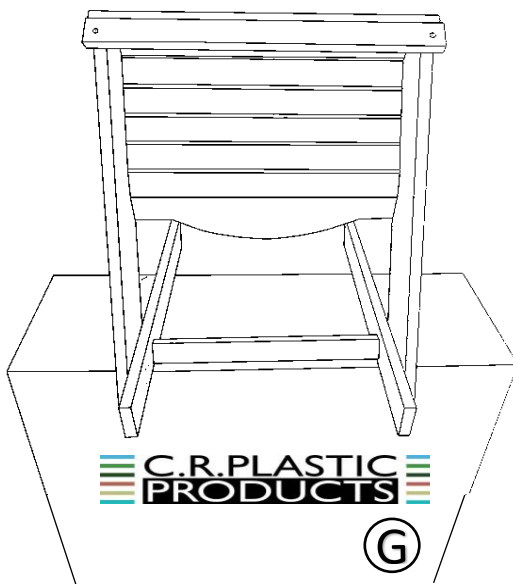


2

(F) X 4

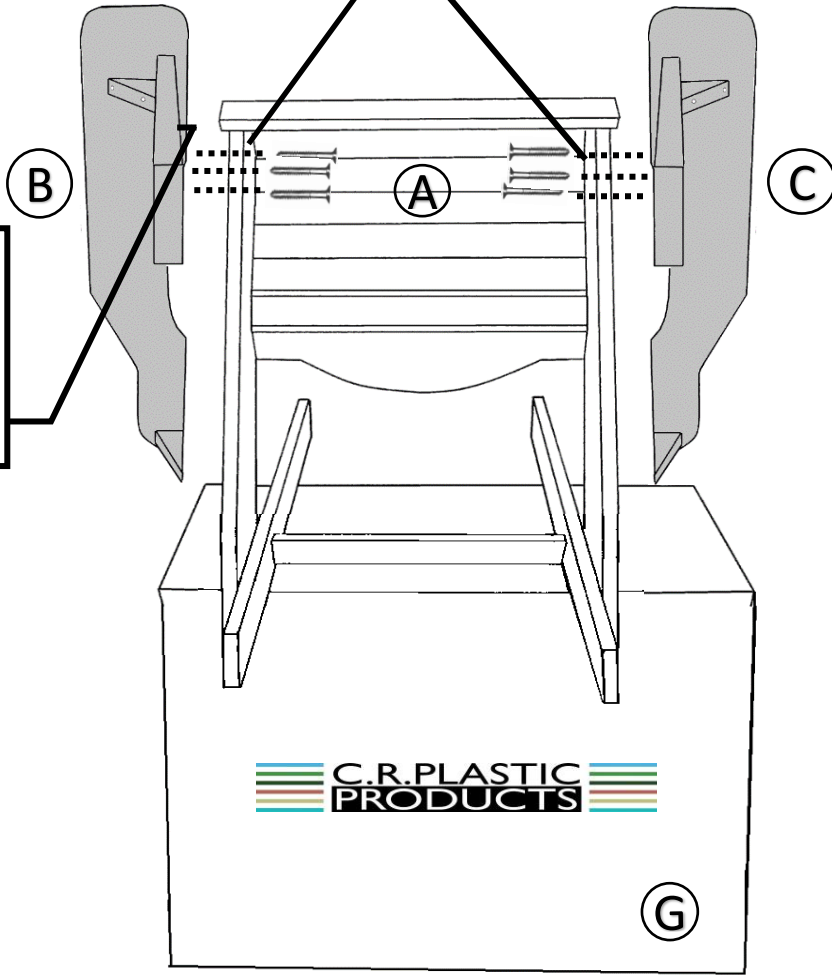
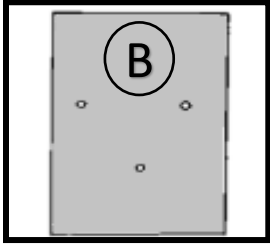
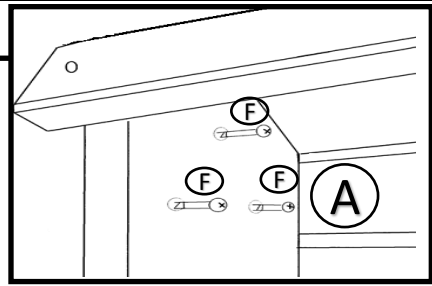


3



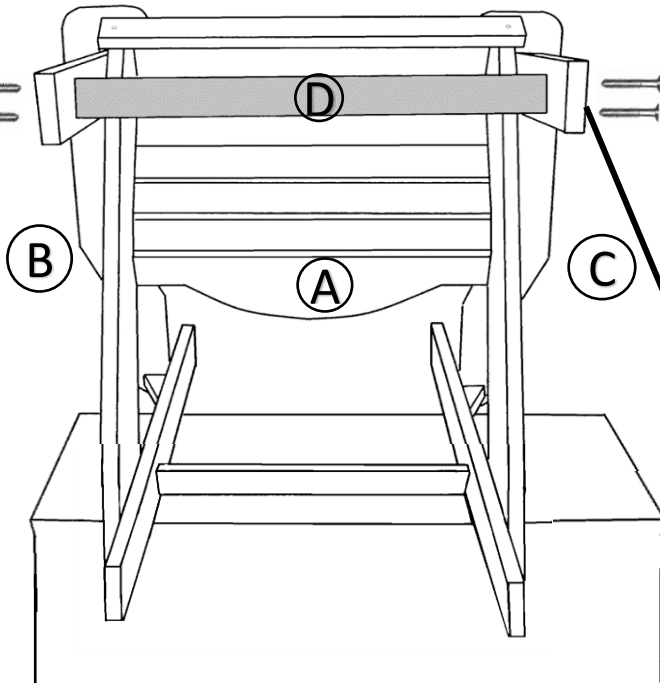
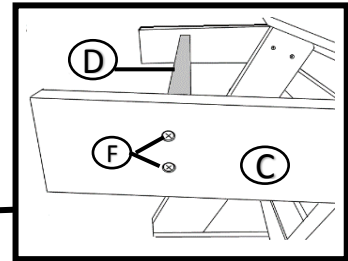
4

- (F) X6
- (B) X1
- (C) X1



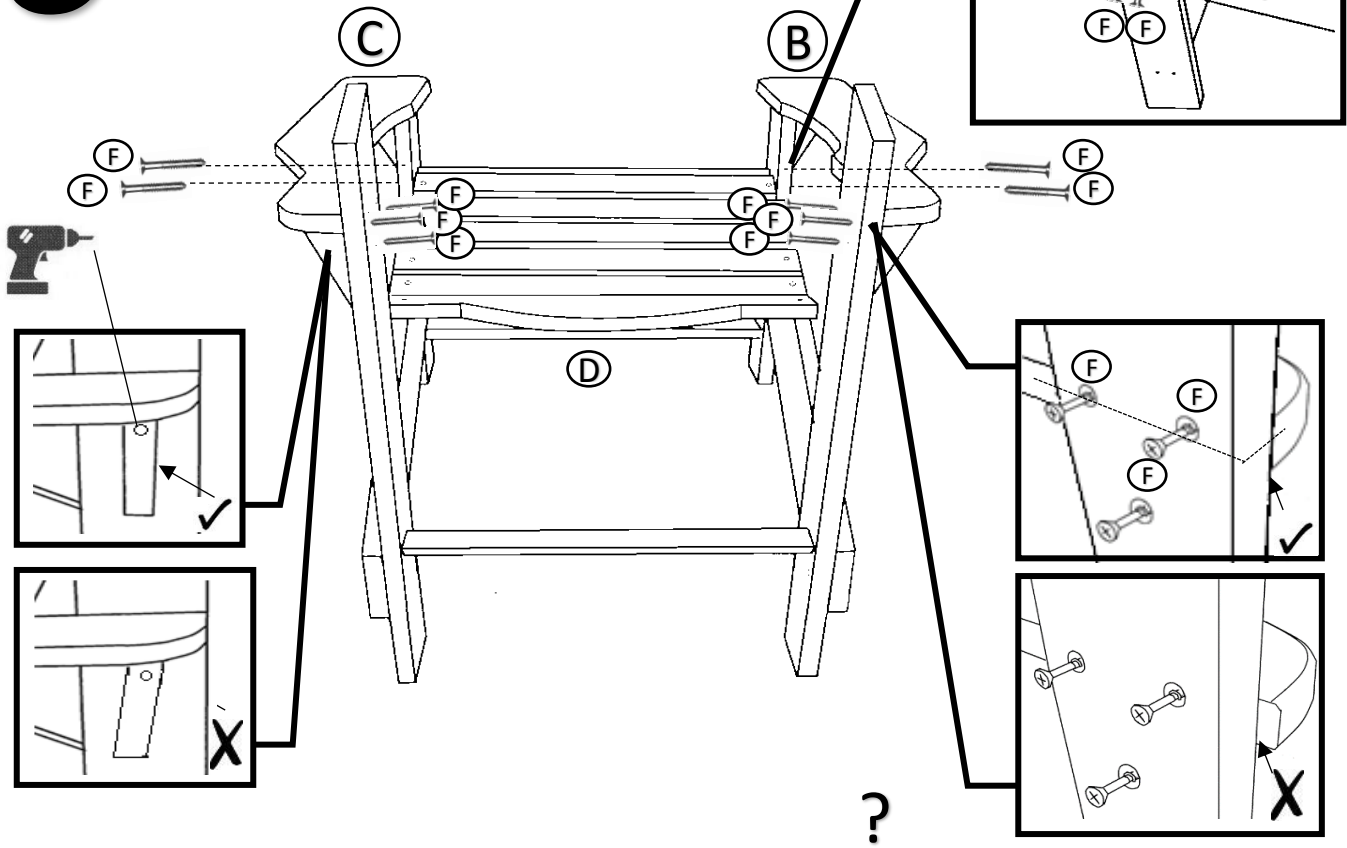
5

- (F) X4
- (D) X1



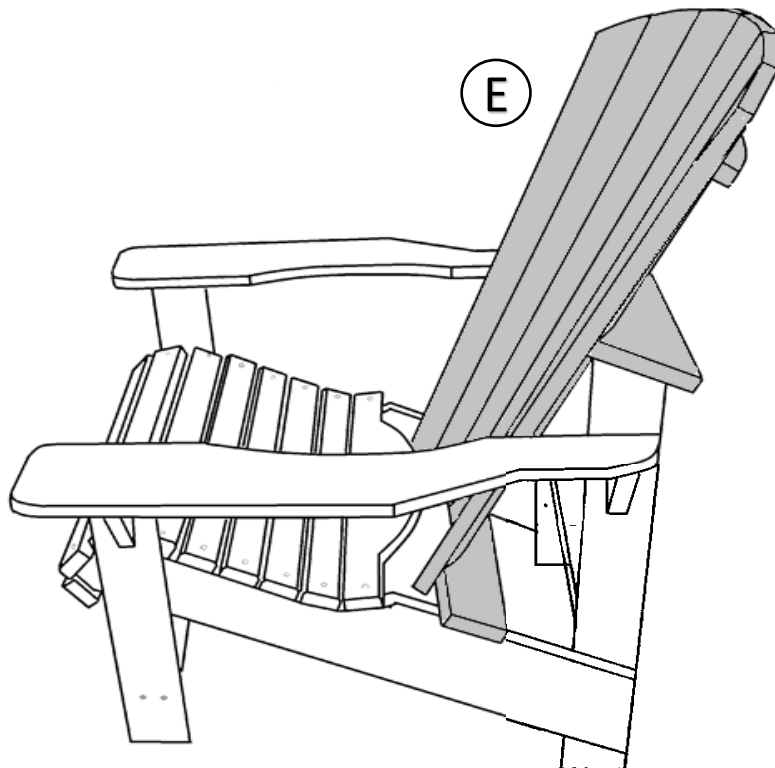
6

(F) X 10



7

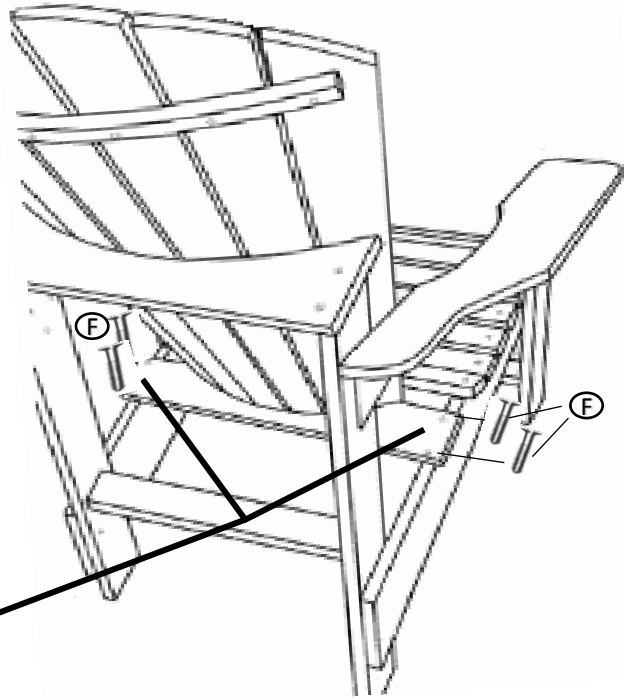
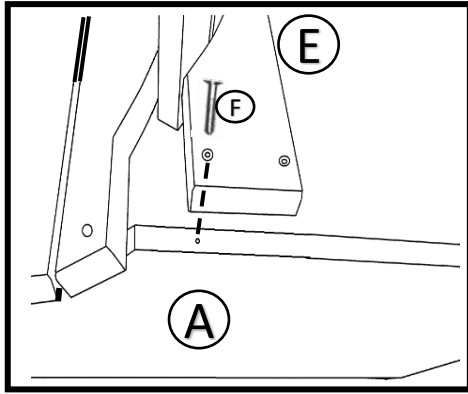
(E) X 1



?

8

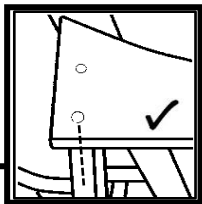
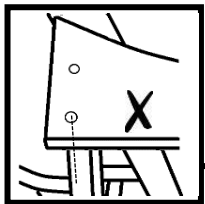
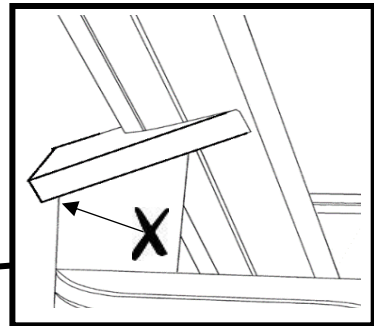
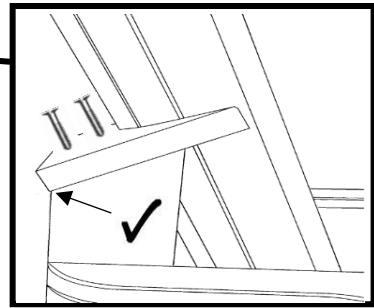
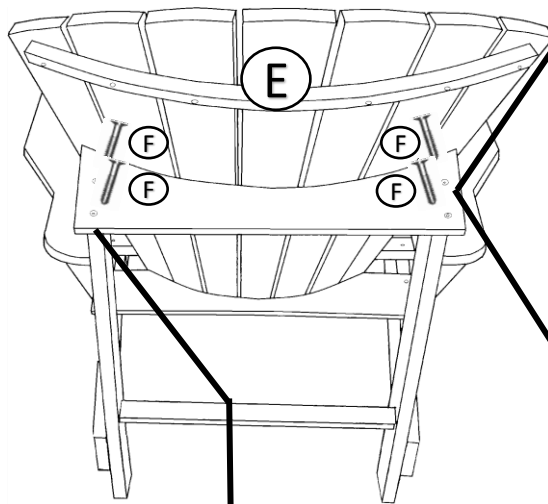
(F) X4



?

9

(F) X4



?

C03

