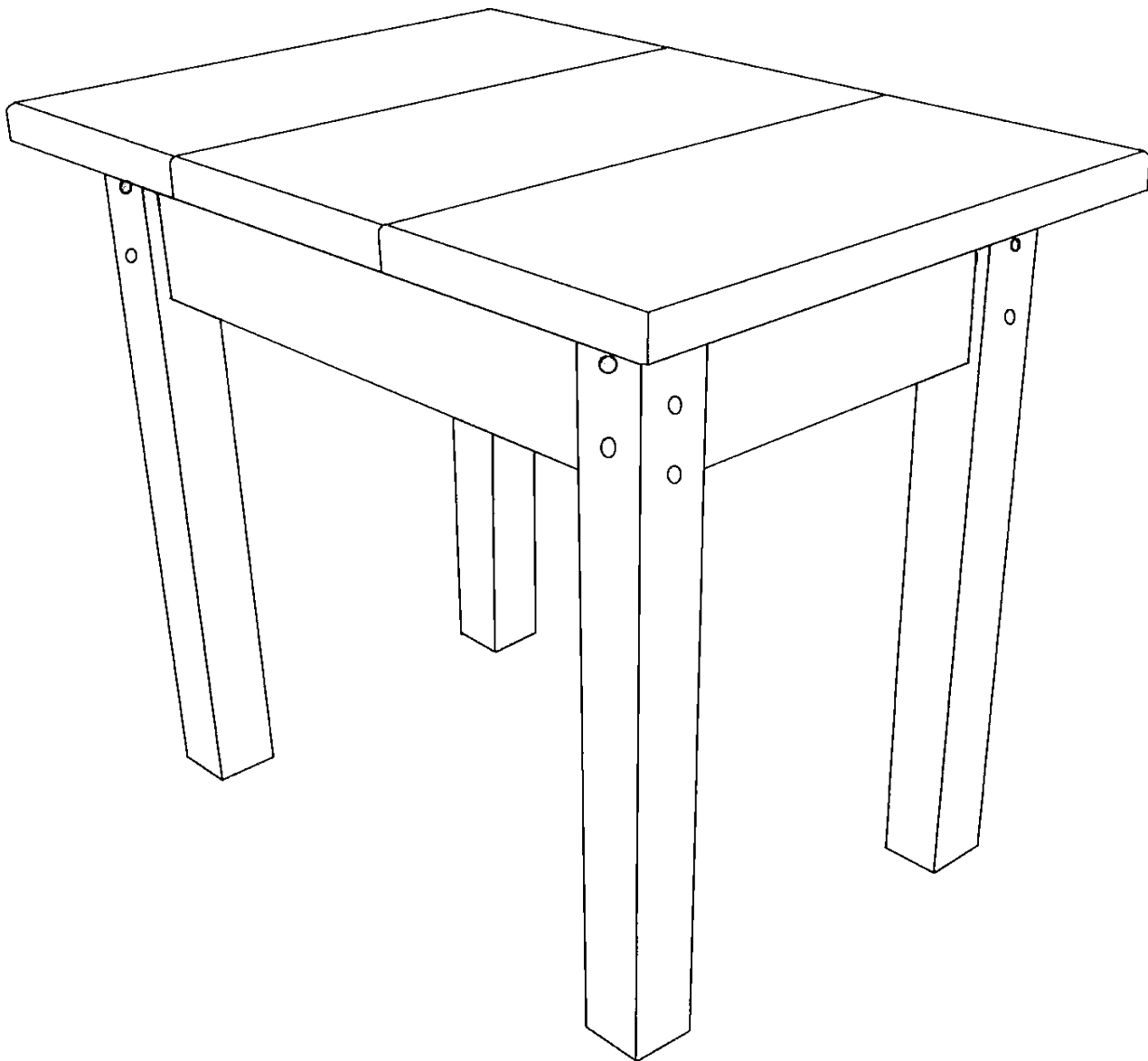




# Generation Line

BY C.R. PLASTIC PRODUCTS INC

## T01

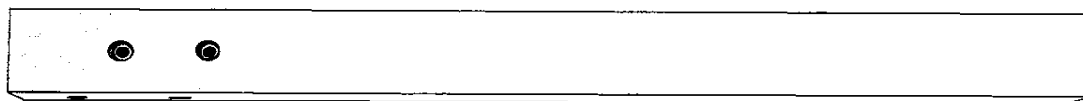
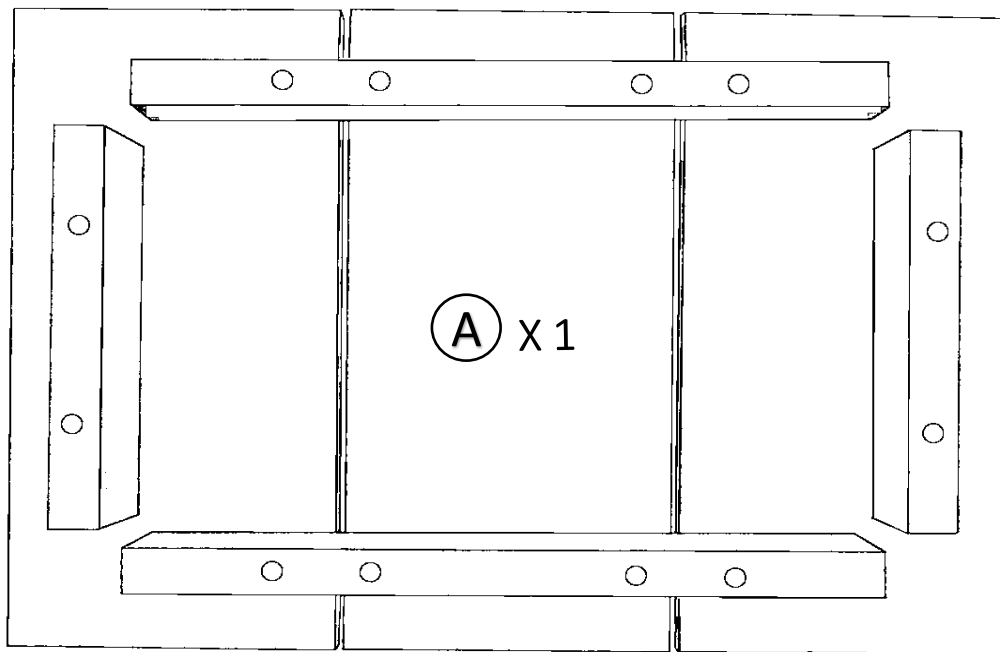




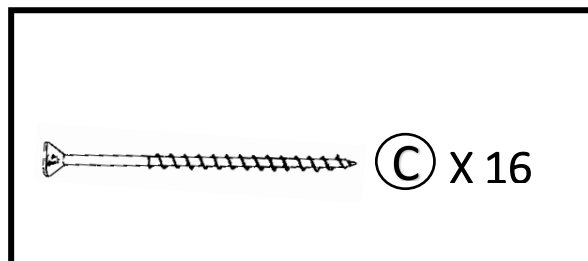
# Generation Line

BY C.R. PLASTIC PRODUCTS INC

T01



(B) X 4



#2



800.490.1283

**FAX**

519.271.8544

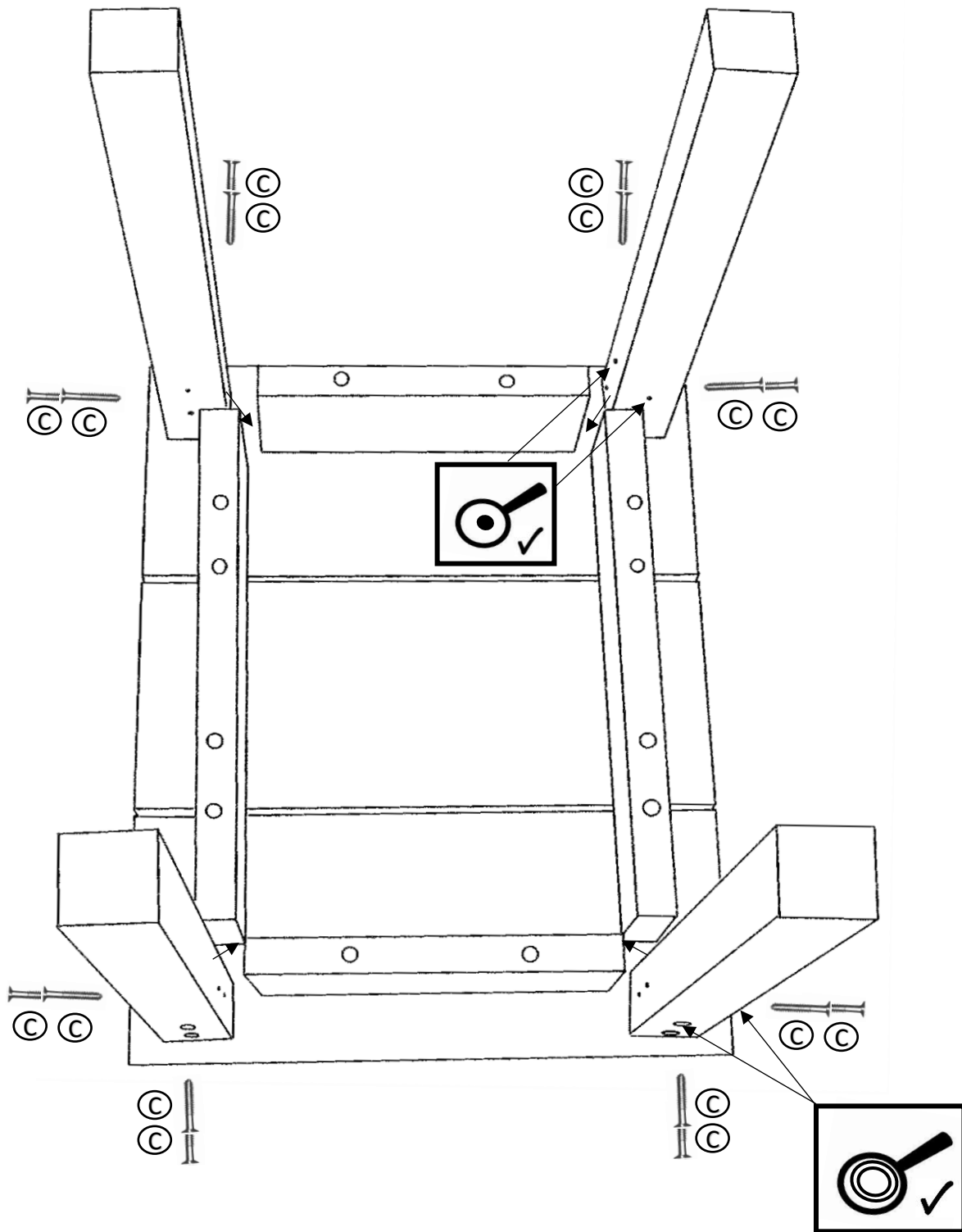


[www.crpproducts.com](http://www.crpproducts.com)

# 1

(A) X 1

(C) X 16



?

T01

